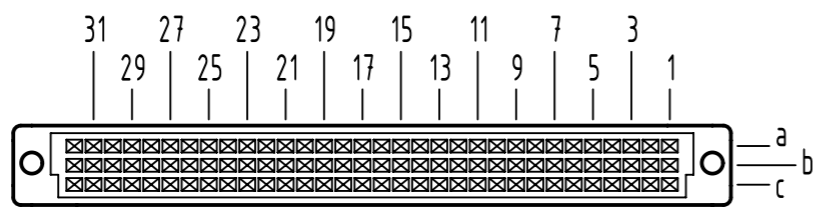
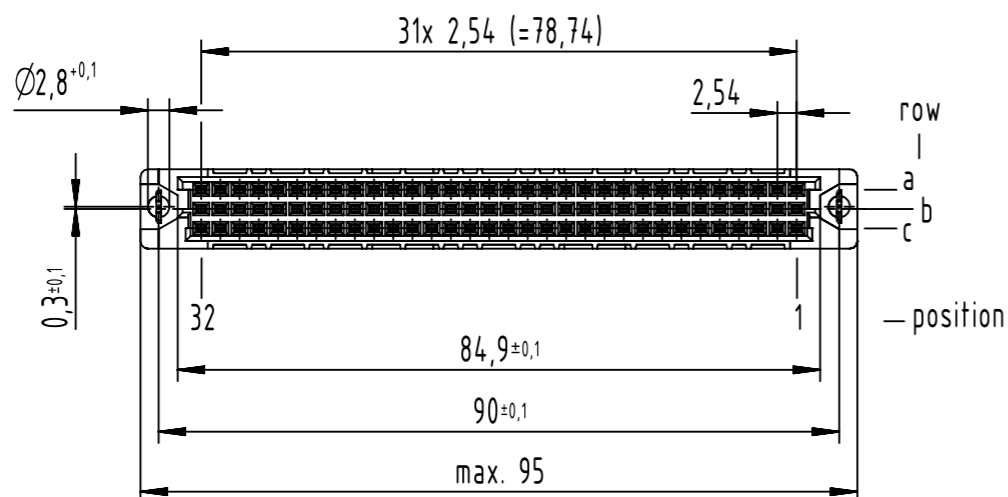
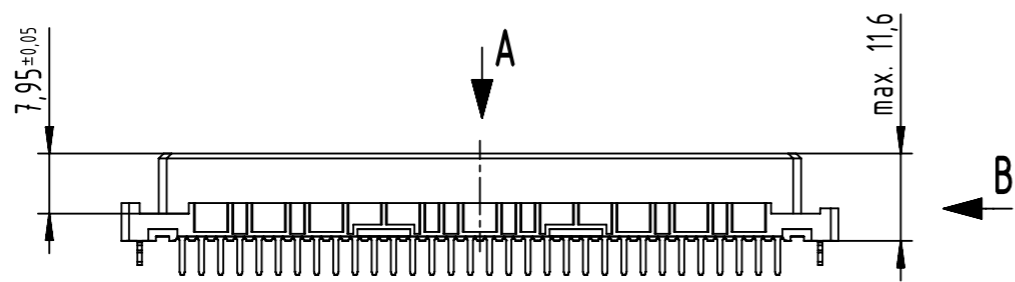
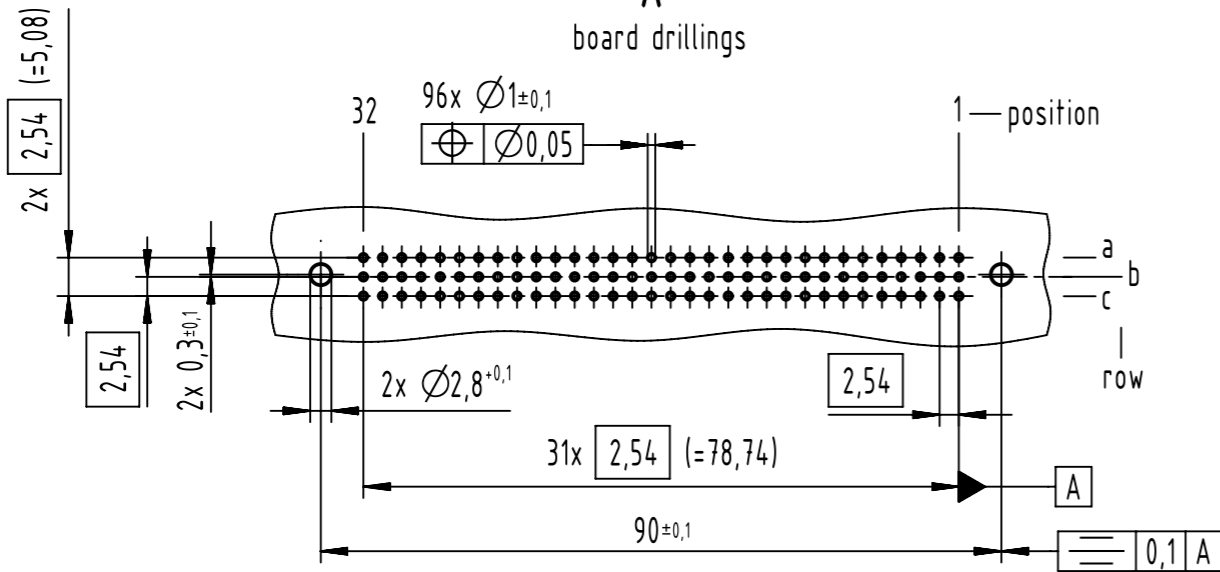


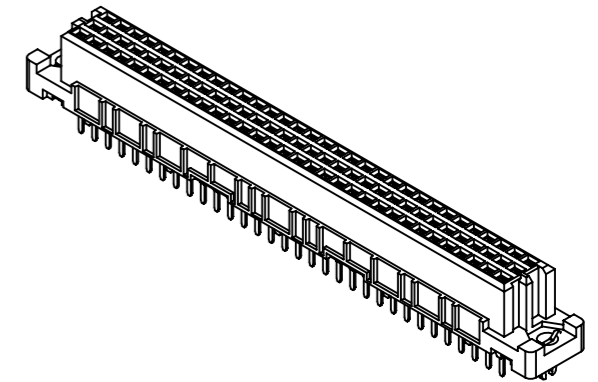
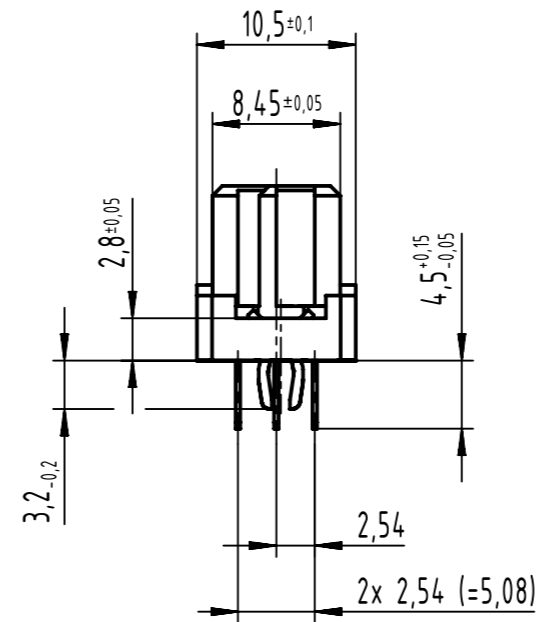
A
contact arrangement



A
board drillings



B (2:1)



09 03 496 7825	3
09 03 496 6825	2
09 03 496 2825	1
part no.	performance level

further information see product data sheet

<p>HARTING D-32339 Espelkamp</p>	<p>All rights reserved Department EL PD</p>	<p>Created by STORCK</p>	<p>Inspected by LEHNERT</p>	<p>Standardisation 302077</p>	<p>Date 2021-03-12</p>	<p>State Final Release</p>	<p>Ref.</p>	
							<p>Sub. TB 09 03 496 x825 / Mod. 36400 / 07.07.2011</p>	
<p>Title DIN Signal type C female solder 4.5 with clip 96-pole</p>							<p>Doc-Key / ECM-Nr. 100173852/UGD/197/G 500000190783</p>	
<p>Type TB</p>						<p>Number 0903496X825</p>		<p>Rev. G</p>
<p>Page 1/1</p>								